

S-050 AUTOMATIC AIR RELEASE VALVE "SEGEV" PAT. PEND



Lightweight, small dimensions, simple and reliable structure.

The body is made of high strength plastic, and all operating parts are made of specially selected corrosion resistant materials.

A.R.I patent, Rolling Seal Mechanism:

- Dramatically reduces the possibility of obstruction by debris.
- Discharges high air flow rates upto 160 m³/h.
- One size orifice for a wide pressure range (up to 16 bar).
- Self cleaning mechanism.

Working pressure range: 0.2-16 bar (3-230 psi).

Available in 1/2" (15mm), 3/4" (20mm), 1" (25mm) BSPT/NPT threaded.

Option

S-050-VAC: vacuum check. Available as a valve that will only release air from the system and will not admit air to the system in vacuum condition.

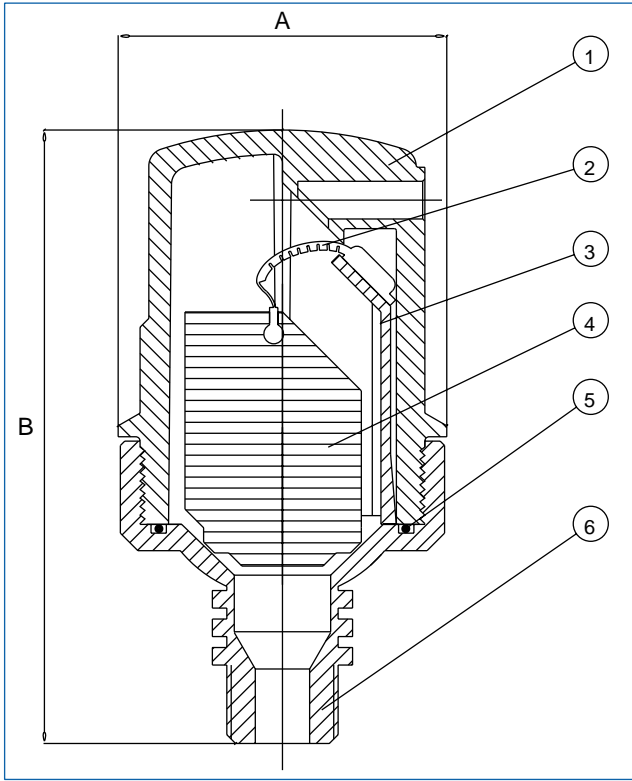
Ordering

Upon ordering, please specify: model, size, working pressure, threads standard and type of liquid.



A.R.I Flow Control Accessories

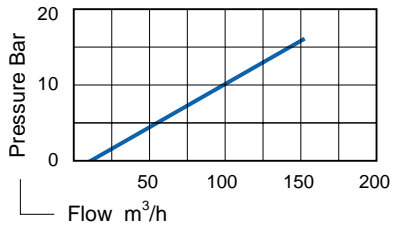
Kfar Charuv, 12932 Israel Tel. 972-4-6761988 Fax. 972-4-6763402 <http://arivalves.com>



PARTS LIST AND SPECIFICATION

No.	Part	Material
1.	Body	Reinforced Nylon
2.	Rolling Seal	Rubber E.P.D.M
3.	Clamping Stem	Reinforced Nylon
4.	Float	Foamed Polypropylene
5.	O-Ring	BUNA-N
6.	Base	Reinforced Nylon or Brass ASTM B124

AUTOMATIC AIR DISCHARGE CHART



DIMENSIONS AND WEIGHTS

Nominal Size	A	B	Weight Kg
15mm 20mm 25mm	75	140	0.3 Plastic Base
1/2", 3/4", 1"			0.65 Brass Base

* Orifice size Area: 12mm²

